



Secondary Clocks Synchronous-Wired Corrective 60th Minute Metal Case

Manufactured in Dassel, MN



FEATURES

- **2 Year Warranty**
- Dual automatic clock correction cycles
 - > Hourly correction
 - > 12-hour scatter correction
- Quality heavy-duty brass gear train
- Precision 'Hysteresis' type *Synchron* motor
- Attractive Modern Design
- Heavy-duty construction
- All metal case
- Double dial mounting

GENERAL

The **american time**[™] Synchronous-Wired corrective clocks are used with the YMP series or AllSync[®] master clocks to provide continuous accurate time indication. The secondary clocks are provided in round or square black powder coated metal bezels with glass crystals and bold, black numerals and minute markers on a non-yellowing white dial. Stylish hour and minute hands are aluminum with a black finish and a red sweep second hand.

DESCRIPTION

american time[™] clocks may be surface, flush or double dial mounted and are available in 10", 12", 15" or 18" round and 12" square. Once each hour the master clock supervises the accuracy of the secondary clock system by issuing a 25 second signal that will correct secondary clocks up to 59 minutes slow. Every twelve hours the master issues a supervisory signal to correct units up to 11 hours, 59 minutes slow. The reference time for the hourly correction is the 60th minute. Twelve-hour correction occurs between 6:00 and 7:00 twice daily. Flush mount clocks require a flush backbox. Each clock is supplied with a pair of Molex[®] connectors.

ORDERING INFORMATION

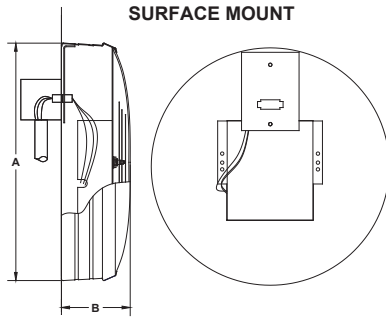
| Part # | Description | Part # | Description |
|------------|-----------------------|------------|----------------------|
| G44BHAG491 | 10" Rd Surface 110vac | G44BHBG491 | 10" Rd Surface 24vac |
| G45BHAG191 | 10" Rd Flush 110vac | G45BHBG191 | 10" Rd Flush 24vac |
| G54BHAG491 | 12" Rd Surface 110vac | G54BHBG491 | 12" Rd Surface 24vac |
| G55BHAG191 | 12" Rd Flush 110vac | G55BHBG191 | 12" Rd Flush 24vac |
| G57BHAG491 | 12" Sq Surface 110vac | G57BHBG491 | 12" Sq Surface 24vac |
| G58BHAG191 | 12" Sq Flush 110vac | G58BHBG191 | 12" Sq Flush 24vac |
| G64BHAG491 | 15" Rd Surface 110vac | G64BHBG491 | 15" Rd Surface 24vac |
| G65BHAG191 | 15" Rd Flush 110vac | G65BHBG191 | 15" Rd Flush 24vac |
| G74BHAG491 | 18" Rd Surface 110vac | G74BHBG491 | 18" Rd Surface 24vac |
| G75BHAG191 | 18" Rd Flush 110vac | G75BHBG191 | 18" Rd Flush 24vac |
| G52BHAG291 | 12" Rd DDC 110vac | G52BHBG291 | 12" Rd DDC 24vac |
| G53BHAG291 | 12" Rd DDW 110vac | G53BHBG291 | 12" Rd DDW 24vac |
| G50BHAG291 | 12" Sq DDC 110vac | G50BHBG291 | 12" Sq DDC 24vac |
| G51BHAG291 | 12" Sq DDW 110vac | G51BHBG291 | 12" Sq DDW 24vac |
| G62BHAG291 | 15" Rd DDC 110vac | G62BHBG291 | 15" Rd DDC 24vac |
| G63BHAG291 | 15" Rd DDW 110vac | G63BHBG291 | 15" Rd DDW 24vac |

CFB101 10", 12", 15", 18" Flush backbox

Double dial mounting requires a 4" square electrical box in the wall or ceiling.

SPECIFICATIONS

Operating voltage 110vac 60 Hz motor = .033 amps Correction coil = .022 amps
 24vac 60 Hz motor = .144 amps Correction coil = .094 amps



OUTSIDE DIMENSIONS
"A" Dimensions:
 11¼" for 10" clocks
 13¼" for 12" clocks
 16¼" for 15" surface clocks
 16" for 15" flush clocks
 19" for 18" clocks

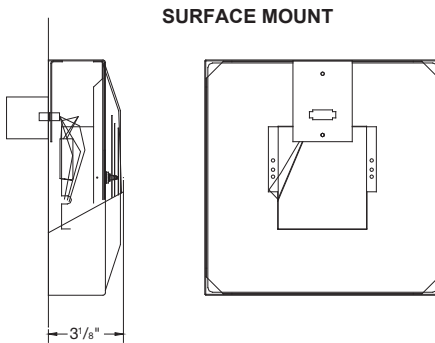
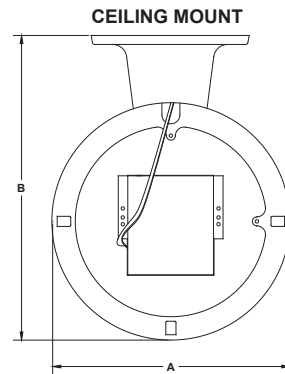
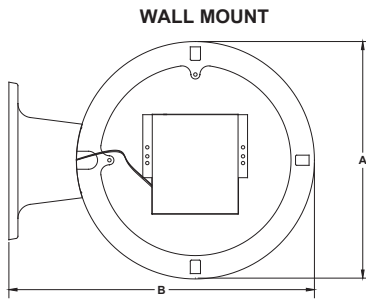
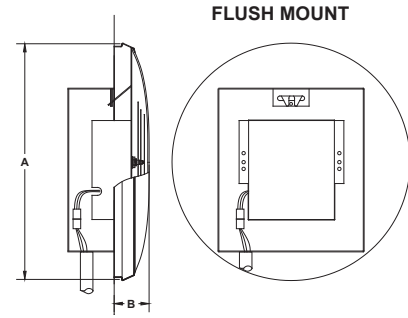
"B" Dimensions: Surface
 2¼" for 10", 12", 15"
 3¼" for 18" clocks

"B" Dimensions: Flush
 1⅞" for 10", 12", 15"
 1⅞" for 18" clocks

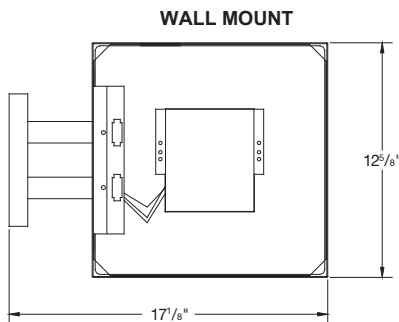
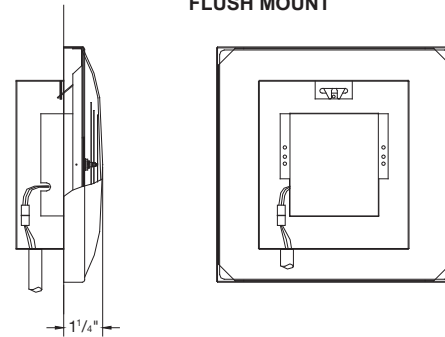
Double Dial:
Note: includes 2 surface clocks

"A" Dimensions:
 13¼" for 12" clocks
 16¼" for 15" clocks

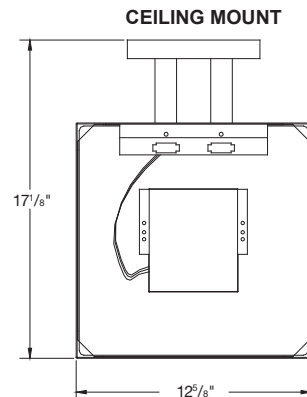
"B" Dimensions:
 16⅞" for 12" clocks
 19⅞" for 15" clocks



OUTSIDE DIMENSIONS
Flush
 12" clocks 12⅝" square



Square Double Dial 12" only



At American Time & Signal, we continually strive to improve our products to meet our customers' needs and to provide the best possible value. The above specifications are believed to be correct, are subject to change without notice and may otherwise vary from the above. Please call if you need verification of any specifications or the suitability of a particular product for a particular application.
 © American Time & Signal Company