



Replacement for Simplex® Synchronous-Wired Corrective 59th Minute Plastic Case

Manufactured in Dassel, MN



FEATURES

- 2 Year Warranty
- Dual automatic clock correction cycles
 - > Hourly correction
 - > 12-hour scatter correction
- Quality heavy-duty brass gear train
- Precision 'Hysteresis' type *Synchron* motor
- Attractive modern design
- Heavy-duty construction
- High impact plastic case
- Double dial mounting

GENERAL

The **american time™** Synchronous-Wired Corrective clocks are used with the YMP series or AllSync® master clocks to provide continuous accurate time indication. The secondary clocks are provided in **round only** high impact black plastic cases with clear polycarbonate crystals and bold, black numerals and minute markers on a non-yellowing white dial. Stylish hour and minute hands are aluminum with a black finish and a red sweep hand. Other bezel colors available. Consult factory.

DESCRIPTION

american time™ clocks may be surface, flush or double dial mounted and are available in either 10" or 12" size. Once each hour the master clock supervises the accuracy of the secondary clock system by issuing an eight second signal that will correct units up to 59 minutes and 55 seconds slow. Every twelve hours the master issues a 14 second supervisory signal to correct secondary clocks up to 11 hours, 59 minutes slow. The reference time for the hourly correction is the 59th minute and reference hours for the 12-hour correction are 6:00 AM and 6:00 PM. Flush mount clocks require a flush backbox. Each clock is supplied with a pair of Molex® connectors.

ORDERING INFORMATION

Part #	Description		Part #	Description	
A44BAAA932	10" Surface	110vac	A44BABA932	10" Surface	24vac
A45BAAA532	10" Flush	110vac	A45BABA532	10" Flush	24vac
A54BAAA332	12" Surface	110vac	A54BABA332	12" Surface	24vac
A55BAAA532	12" Flush	110vac	A55BABA532	12" Flush	24vac
A53BAAA232	12" Double dial wall	110vac	A53BABA232	12" Double dial wall	24vac
A52BAAA232	12" Double dial ceiling	110vac	A52BABA232	12" Double dial ceiling	24vac

CFB102 10" Flush backbox

CFB104 12" Flush backbox

Double dial mounting to wall requires 4" square electrical box in wall.

SPECIFICATIONS

Electrical requirements:

24vac/24vac 60 Hz	1 rpm	6 watts	Run .24 amps	Correction .092 amps
110vac/110vac 60 Hz	1 rpm	6 watts	Run .055 amps	Correction .023 amps

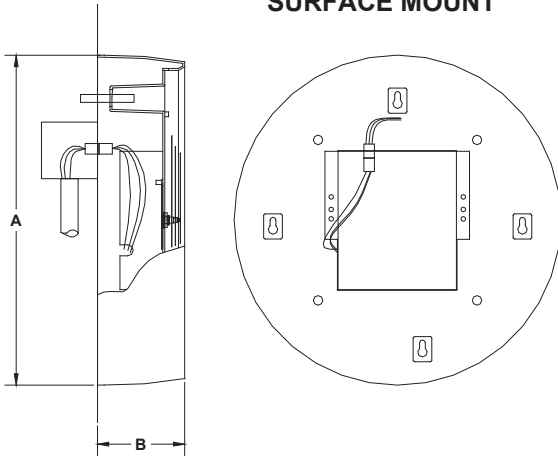
OUTSIDE DIMENSIONS

Flush Mount

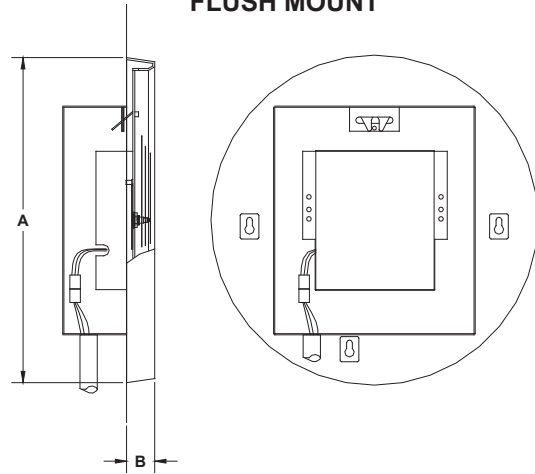
Size	A	B	Surface Mount Size	A	B
10"	9 ⁷ / ₈ "	1 ³ / ₈ "	10"	10 ⁹ / ₈ "	2 ¹ / ₂ "
12"	13 ¹ / ₄ "	1 ¹ / ₂ "	12"	13 ¹ / ₄ "	2 ⁵ / ₈ "

Double Dial 12" only

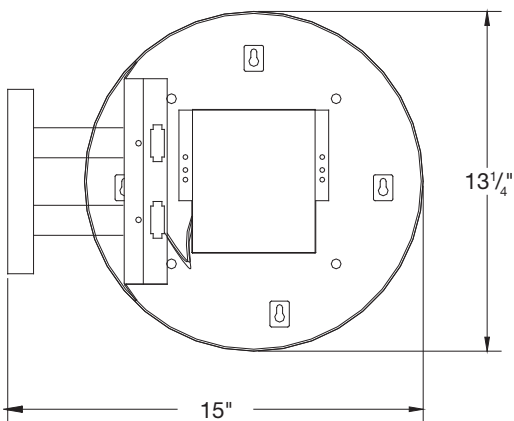
SURFACE MOUNT



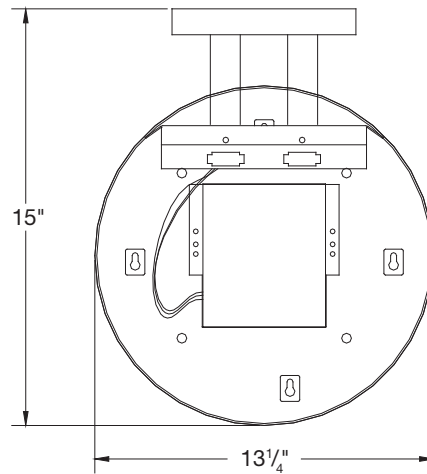
FLUSH MOUNT



Wall Mount



Ceiling Mount



At American Time & Signal, we continually strive to improve our products to meet our customers' needs and to provide the best possible value. The above specifications are believed to be correct, are subject to change without notice and may otherwise vary from the above. Please call if you need verification of any specifications or the suitability of a particular product for a particular application.
© American Time & Signal Company