



Replacements for Standard™ Electric Dual Motor Synchronous–Wired Plastic Case

Manufactured in Dassel, MN



FEATURES

- 2 Year Warranty
- Dual automatic clock correction cycles
 - > Hourly correction
 - > 12-hour scatter correction
- Quality heavy-duty brass gear train
- Precision 'Hysteresis' type *Synchron* motor
- Attractive modern design
- Heavy-duty construction
- High impact plastic case
- Double dial mounting

GENERAL

The **american time™** Dual Motor Synchronous–Wired Corrective clocks are used with the YMP series or AllSync® master clocks to provide continuous accurate time indication. The secondary clocks are provided in **round only**, high impact black plastic cases with shatter-resistant, polycarbonate crystals and bold, black numerals and minute markers on a non-yellowing white dial. Stylish hour and minute hands are aluminum with a black finish and a red sweep hand. Other bezel colors available. Consult factory.

DESCRIPTION

american time™ clocks may be surface, flush or double dial mounted and are available in either 10" or 12" size. A 15-minute correction signal on the correction motor line will cause a 12-hour correction from 5:12:00 to 5:28:00. This will occur twice daily. Run motor power is connected during the 12-hour correction. A 29-second signal is applied to the correction motor line from XX:59:30 to XX:59:59 to cause hourly corrections. During hourly corrections, power is disconnected from the run motor. Flush mount clocks require a flush backbox. Each clock is supplied with a pair of Molex® connectors.

ORDERING INFORMATION

Part #	Description	Part #	Description	Part #	Description
X44BAGA904	10" Surface	110vac	X44BAHA904	10" Surface	24vac
X45BAGA804	10" Flush	110vac	X45BAHA804	10" Flush	24vac
X54BAGA304	12" Surface	110vac	X54BAHA304	12" Surface	24vac
X55BAGA804	12" Flush	110vac	X55BAHA804	12" Flush	24vac
X53BAGA204	12" Double dial wall	110vac	X53BAHA204	12" Double dial wall	24vac
X52BAGA204	12" Double dial ceiling	110vac	X52BAHA204	12" Double dial ceiling	24vac

CFB102 10" Flush backbox

CFB113 12" Flush backbox

Double dial mounting to wall requires 4" square electrical box in wall

SPECIFICATIONS

Run Motor

24vac 60 Hz 1 rpm .144 amps
 110vac 60 Hz 1 rpm .033 amps

Reset Motor

24vac 60 Hz 60 rpm .286 amps
 110vac 60 Hz 60 rpm .070 amps

OUTSIDE DIMENSIONS

Flush Mount

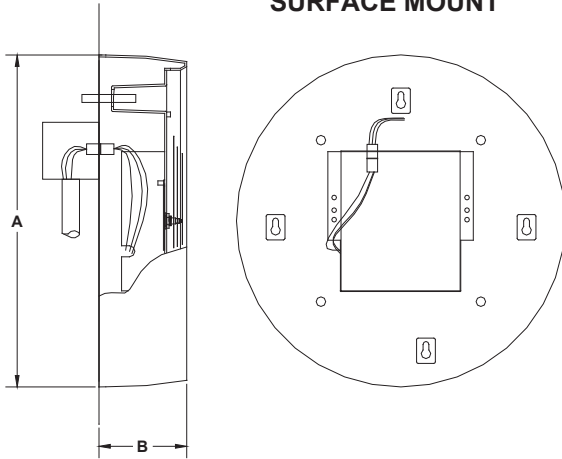
Size	A	B
10"	9 ⁷ / ₈ "	1 ³ / ₈ "
12"	13 ¹ / ₄ "	1 ¹ / ₂ "

Surface Mount

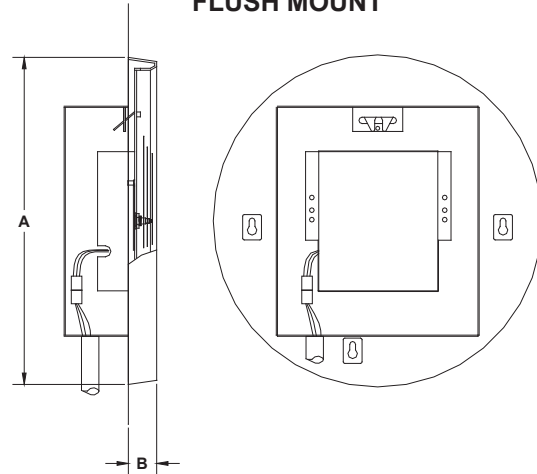
Size	A	B
10"	10 ³ / ₈ "	2 ¹ / ₂ "
12"	13 ¹ / ₄ "	2 ⁵ / ₈ "

Double Dial 12" only

SURFACE MOUNT

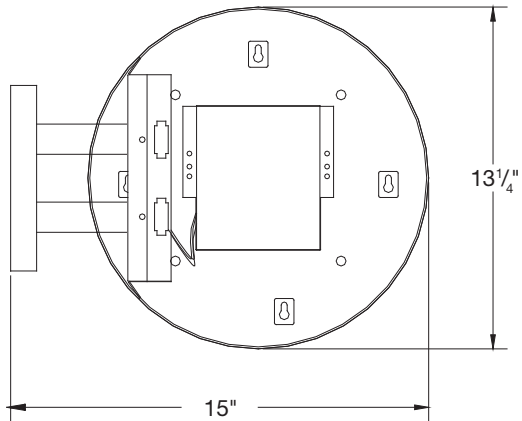


FLUSH MOUNT

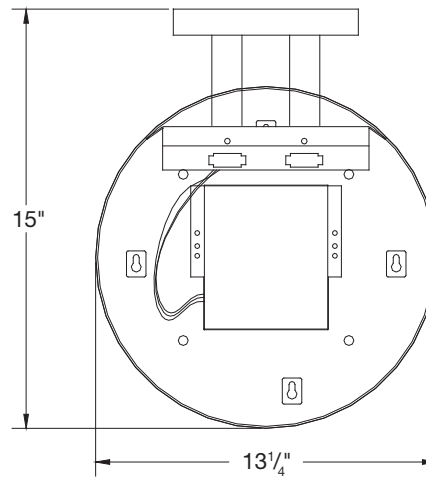


Double Dial

Wall Mount



Ceiling Mount



At American Time & Signal, we continually strive to improve our products to meet our customers' needs and to provide the best possible value. The above specifications are believed to be correct, are subject to change without notice and may otherwise vary from the above. Please call if you need verification of any specifications or the suitability of a particular product for a particular application.
 © American Time & Signal Company