



Replacements for Simplex® Synchronous-Wired Corrective 59th Minute Metal Case

Manufactured in Dassel, MN



FEATURES

- 2 Year Warranty
- Dual automatic clock correction cycles
 - > Hourly correction
 - > 12-hour scatter correction
- Quality heavy-duty brass gear train
- Precision 'Hysteresis' type *Synchron* motor
- Attractive modern design
- Heavy-duty construction
- All metal case
- Double dial mounting

GENERAL

The **american time**™ Synchronous-Wired Corrective clocks are used with the YMP series or AllSync® master clocks to provide continuous accurate time indication. The secondary clocks are provided in round or square metal cases with glass crystals and bold, black numerals and minute markers on a non-yellowing white dial. Stylish hour and minute hands are aluminum with a black finish and a red sweep second hand.

DESCRIPTION

american time™ clocks may be surface, flush or double dial mounted and are available in 10", 12", 15" or 18" round and 12" square. Once each hour the master clock supervises the accuracy of the secondary clock system by issuing an eight second signal that will correct units up to 59 minutes and 55 seconds slow. Every twelve hours the master issues a 14 second supervisory signal to correct secondary clocks up to 11 hours, 59 minutes slow. The reference time for the hourly correction is the 59th minute and reference hours for the 12-hour correction are 6:00 AM and 6:00 PM. Flush mount clocks require a flush backbox. Each clock is supplied with a pair of Molex® connectors.

ORDERING INFORMATION

Part #	Description	Part #	Description
A44BHAA422	10" Rd Surface	A44BHBA422	10" Rd Surface
A45BHAA522	10" Rd Flush	A45BHBA522	10" Rd Flush
A54BHAA422	12" Rd Surface	A54BHBA422	12" Rd Surface
A55BHAA522	12" Rd Flush	A55BHBA522	12" Rd Flush
A57BHAA422	12" Sq Surface	A57BHBA422	12" Sq Surface
A58BHAA522	12" Sq Flush	A58BHBA522	12" Sq Flush
A64BHAA422	15" Rd Surface	A64BHBA422	15" Rd Surface
A65BHAA522	15" Rd Flush	A65BHBA522	15" Rd Flush
A74BHAA422	18" Rd Surface	A74BHBA422	18" Rd Surface
A75BHAA522	18" Rd Flush	A75BHBA522	18" Rd Flush
A53BHAA222	12" Rd Double dial wall	A53BHBA222	12" Rd Double dial wall
A52BHAA222	12" Rd Double dial ceiling	A52BHBA222	12" Rd Double dial ceiling
A51BHAA222	12" Sq Double dial wall	A51BHBA222	12" Sq Double dial wall
A50BHAA222	12" Sq Double dial ceiling	A50BHBA222	12" Sq Double dial ceiling
A63BHAA222	15" Rd Double dial wall	A63BHBA222	15" Rd Double dial wall
A62BHAA222	15" Rd Double dial ceiling	A62BHBA222	15" Rd Double dial ceiling

CFB104 12", 15", 18" Flush backbox

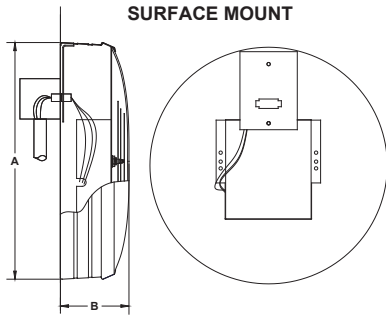
CFB102 10" Flush backbox

Double dial mounting to wall requires 4" square electrical box in wall

SPECIFICATIONS

Electrical requirements:

24vac/24vac 60 Hz	1 rpm	6 watts	Run .24 amps	Correction .092 amps
120vac/120vac 60 Hz	1 rpm	6 watts	Run .055 amps	Correction .023 amps



SURFACE MOUNT

OUTSIDE DIMENSIONS

"A" Dimensions:
 11¼" for 10" clocks
 13¼" for 12" clocks
 16¼" for 15" surface clocks
 16" for 15" flush clocks
 19" for 18" clocks

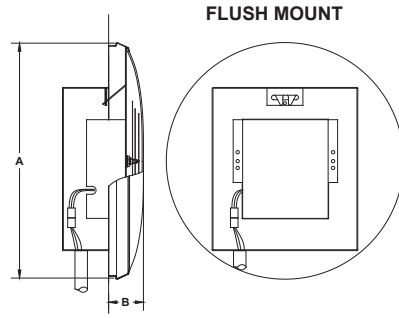
"B" Dimensions: Surface
 2¼" for 10", 12", 15"
 3¼" for 18" clocks

"B" Dimensions: Flush
 1⅞" for 10", 12", 15"
 1⅞" for 18" clocks

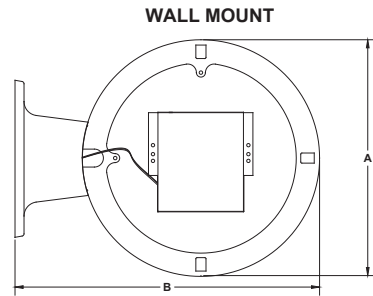
Double Dial:
Note: includes 2 surface clocks

"A" Dimensions:
 13¼" for 12" clocks
 16¼" for 15" clocks

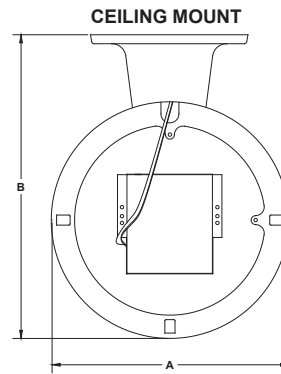
"B" Dimensions:
 16⅞" for 12" clocks
 19⅞" for 15" clocks



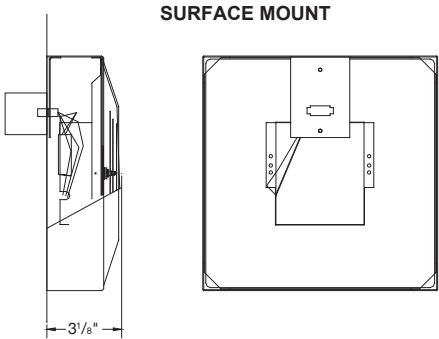
FLUSH MOUNT



WALL MOUNT



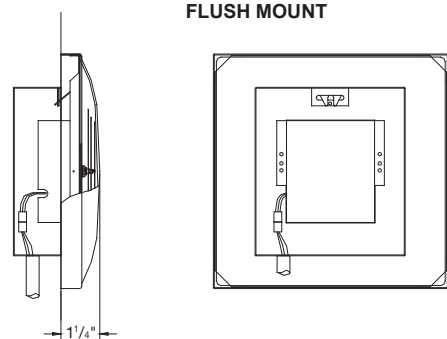
CEILING MOUNT



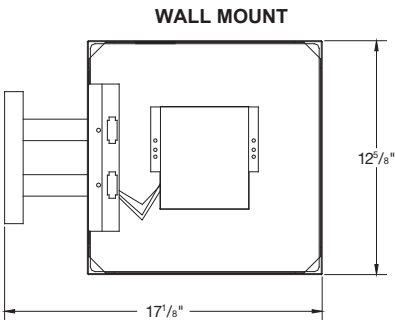
SURFACE MOUNT

OUTSIDE DIMENSIONS

Flush
 12" clocks 12⅝" square

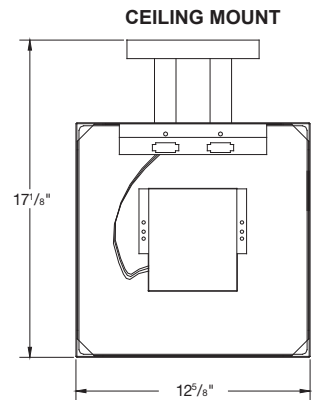


FLUSH MOUNT



WALL MOUNT

Square Double Dial 12" only



CEILING MOUNT

At American Time & Signal, we continually strive to improve our products to meet our customers' needs and to provide the best possible value. The above specifications are believed to be correct, are subject to change without notice and may otherwise vary from the above. Please call if you need verification of any specifications or the suitability of a particular product for a particular application.
 © American Time & Signal Company