



## Secondary Clocks Synchronous-Wired Corrective 58<sup>th</sup> Minute Metal Case

Manufactured in Dassel, MN



### FEATURES

- **2 Year Warranty**
- Dual automatic clock correction cycles
  - > Hourly correction
  - > 12-hour scatter correction
- Quality heavy-duty brass gear train
- Precision 'Hysteresis' type *Synchron* motor
- Attractive modern design
- Heavy-duty construction
- All metal case
- Double dial mounting

### GENERAL

The **american time**<sup>™</sup> Synchronous-Wiredcorrective clocks are used with the YMP series or AllSync<sup>®</sup> master clocks to provide continuous accurate time indication. The secondary clocks are provided in round or square metal cases with glass crystals and bold, black numerals and minute markers on a non-yellowing white dial. Stylish hour and minute hands are aluminum with a black finish and a red sweep second hand.

### DESCRIPTION

**american time**<sup>™</sup> clocks may be surface, flush or double dial mounted and are available in 10", 12", 15" or 18" round and 12" square. Once each hour the master clock supervises the accuracy of the secondary clock system by issuing a 60 second signal that will correct secondary clocks up to 59 minutes and 55 seconds slow. Every twelve hours the master issues a series of supervisory signals to correct units up to 11 hours, 59 minutes slow. The reference time for the hourly correction is the 58th minute. Twelve-hour correction occurs between 5:00 and 6:00 twice daily. Flush mount clocks require a flush backbox. Each clock is supplied with a pair of Molex<sup>®</sup> connectors.

### ORDERING INFORMATION

Part #	Description	Part #	Description
H44BHAH404	10" Rd Surface	H44BHBH404	10" Rd Surface
H45BHAH604	10" Rd Flush	H45BHBH604	10" Rd Flush
H54BHAH404	12" Rd Surface	H54BHBH404	12" Rd Surface
H55BHAH604	12" Rd Flush	H55BHBH604	12" Rd Flush
H57BHAH404	12" Sq Surface	H57BHBH404	12" Sq Surface
H58BHAH604	12" Sq Flush	H58BHBH604	12" Sq Flush
H64BHAH404	15" Rd Surface	H64BHBH404	15" Rd Surface
H65BHAH604	15" Rd Flush	H65BHBH604	15" Rd Flush
H74BHAH404	18" Rd Surface	H74BHBH404	18" Rd Surface
H75BHAH604	18" Rd Flush	H75BHBH604	18" Rd Flush
H53BHAH204	12" Rd Double dial wall	H53BHBH204	12" Rd Double dial wall
H52BHAH204	12" Rd Double dial ceiling	H52BHBH204	12" Rd Double dial ceiling
H51BHAH204	12" Sq Double dial wall	H51BHBH204	12" Sq Double dial wall
H50BHAH204	12" Sq Double dial ceiling	H50BHBH204	12" Sq Double dial ceiling
H63BHAH204	15" Rd Double dial wall	H63BHBH204	15" Rd Double dial wall
H62BHAH204	15" Rd Double dial ceiling	H62BHBH204	15" Rd Double dial ceiling

CFB103 10" Flush backbox

CFB106 12" Flush backbox

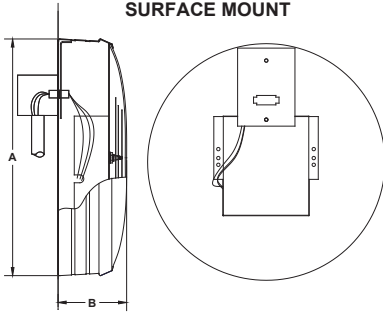
Double dial mounting requires a 4" square electrical box in the wall or ceiling.

**SPECIFICATIONS**

**Operating voltage**

110vac	60 Hz	motor = .057 amps	Coil = .020 amps
24vac	60 Hz	motor = .230 amps	Coil = .221 amps

**SURFACE MOUNT**



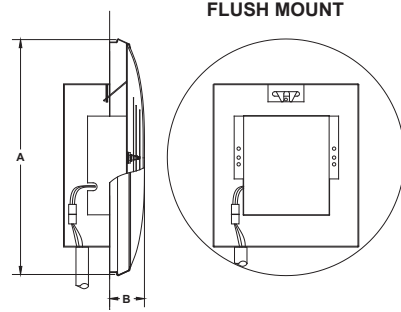
**OUTSIDE DIMENSIONS**

**"A" Dimensions:**  
 11¼" for 10" clocks  
 13¼" for 12" clocks  
 16¼" for 15" surface clocks  
 16" for 15" flush clocks  
 19" for 18" clocks

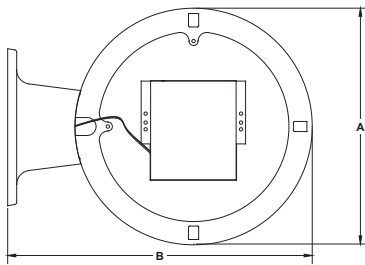
**"B" Dimensions: Surface**  
 2¼" for 10", 12", 15"  
 3¼" for 18" clocks

**"B" Dimensions: Flush**  
 1⅝" for 10", 12", 15"  
 1⅞" for 18" clocks

**FLUSH MOUNT**



**WALL MOUNT**

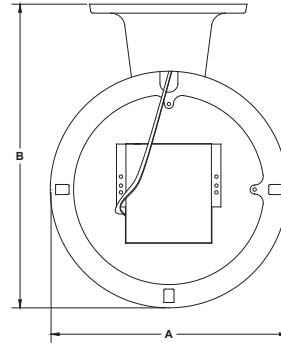


**Double Dial:**  
**Note:** includes 2 surface clocks

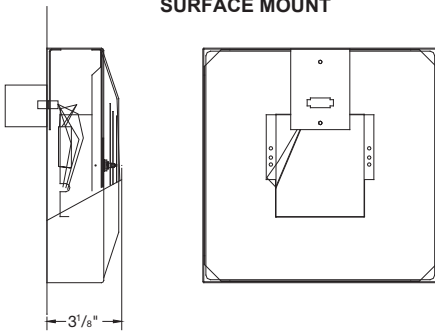
**"A" Dimensions:**  
 13¼" for 12" clocks  
 16¼" for 15" clocks

**"B" Dimensions:**  
 16⅞" for 12" clocks  
 19⅞" for 15" clocks

**CEILING MOUNT**



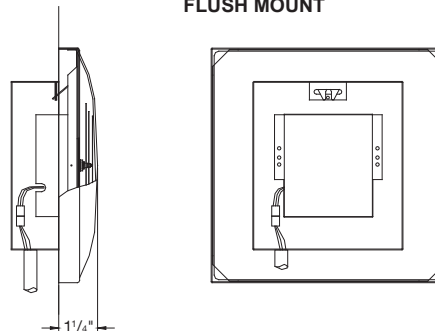
**SURFACE MOUNT**



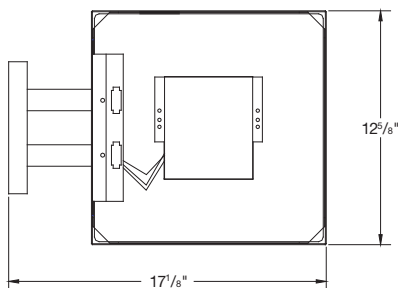
**OUTSIDE DIMENSIONS**

**Flush**  
 12" clocks 12⅝" square

**FLUSH MOUNT**

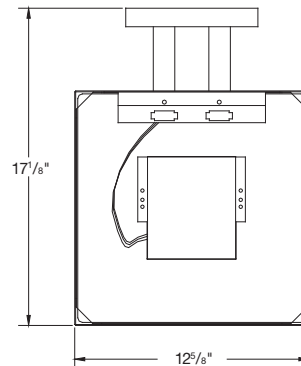


**WALL MOUNT**



**Square Double Dial 12" only**

**CEILING MOUNT**



At American Time & Signal, we continually strive to improve our products to meet our customers' needs and to provide the best possible value. The above specifications are believed to be correct, are subject to change without notice and may otherwise vary from the above. Please call if you need verification of any specifications or the suitability of a particular product for a particular application.  
 © American Time & Signal Company