



Secondary Clocks Synchronous-Wired Corrective 58th Minute Plastic Case

Manufactured in Dassel, MN



FEATURES

- **2 Year Warranty**
- Dual automatic clock correction cycles
 - > Hourly correction
 - > 12-hour scatter correction
- Quality heavy-duty brass gear train
- Precision 'Hysteresis' type *Synchron* motor
- Attractive modern design
- Heavy-duty construction
- All plastic case
- Double dial mounting

GENERAL

The **american time**™ Synchronous-Wired corrective clocks are used with the YMP series or AllSync® master clocks to provide continuous accurate time indication. The secondary clocks are provided in **round only**, high impact black plastic bezels with polycarbonate crystals and bold, black numerals and minute markers on a non-yellowing white dial. Stylish hour and minute hands are aluminum with a black finish and a red sweep hand. Other bezel colors available. Consult factory.

DESCRIPTION

american time™ clocks may be surface, flush or double dial mounted and are available in either 10" or 12" size. Once each hour the master clock supervises the accuracy of the secondary clock system by issuing an 60 second signal that will correct units up to 59 minutes and 55 seconds slow. Every twelve hours the master issues a series of supervisory signals to correct secondary clocks up to 11 hours, 59 minutes slow. The reference time for the hourly correction is the 58th minute. Twelve-hour correction occurs between 5:00 and 6:00 twice daily. Flush clocks require a flush backbox. Each clock is supplied with a pair of Molex® connectors.

ORDERING INFORMATION

Part #	Description	
H44BAAH904	10" Rd Surface	110vac
H45BAAH604	10" Rd Flush	110vac
H54BAAH304	12" Rd Surface	110vac
H55BAAH604	12" Rd Flush	110vac
H53BAAH204	12" Rd Double dial wall	110vac
H52BAAH204	12" Rd Double dial ceiling	110vac

CFB103 10" Flush backbox

CFB106 12" Flush backbox

Also available in 110/24vac- consult a sales representative for part numbers.

Double dial mounting requires a 4" square electrical box in the wall or ceiling.

SPECIFICATIONS

Operating voltage

110vac	60 Hz	motor = .057 amps	Coil = .020 amps
24vac	60 Hz	motor = .230 amps	Coil = .221 amps

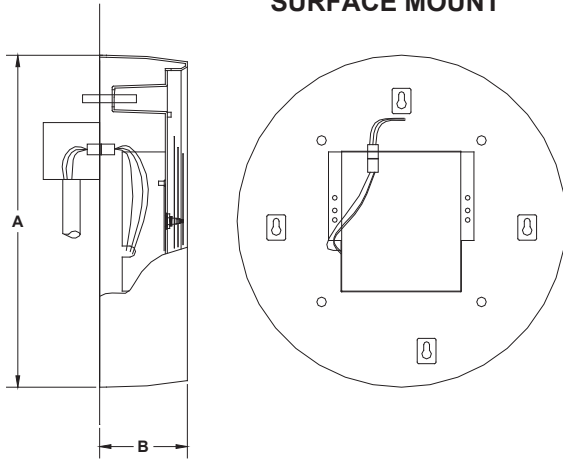
OUTSIDE DIMENSIONS

Flush Mount

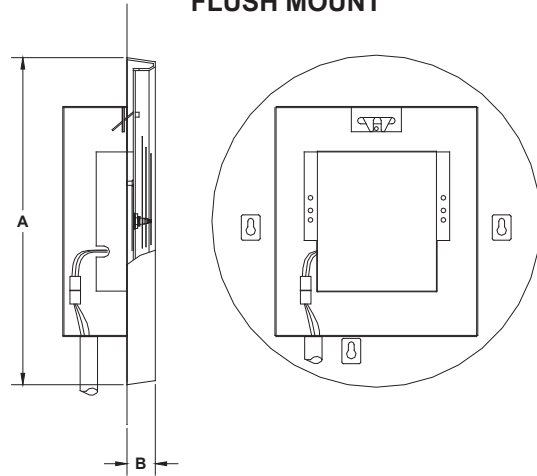
Size	A	B	Surface Mount Size	A	B
10"	9 ⁷ / ₈ "	1 ³ / ₈ "	10"	10 ³ / ₈ "	2 ¹ / ₂ "
12"	13 ¹ / ₄ "	1 ¹ / ₂ "	12"	13 ¹ / ₄ "	2 ⁵ / ₈ "

Double Dial 12" only

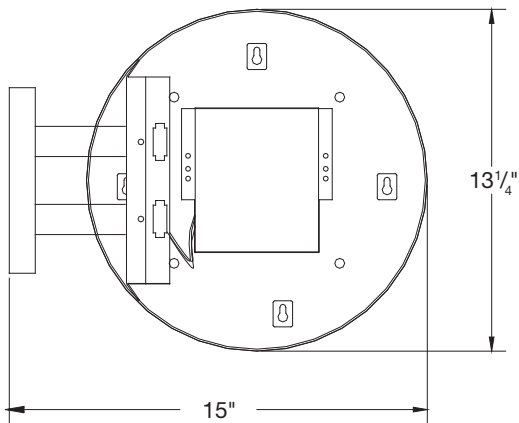
SURFACE MOUNT



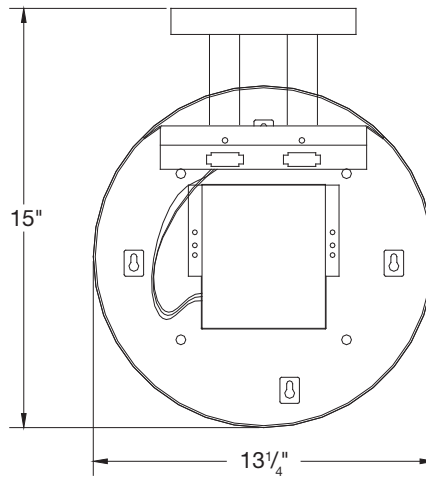
FLUSH MOUNT



Wall Mount



Ceiling Mount



At American Time & Signal, we continually strive to improve our products to meet our customers' needs and to provide the best possible value. The above specifications are believed to be correct, are subject to change without notice and may otherwise vary from the above. Please call if you need verification of any specifications or the suitability of a particular product for a particular application.
© American Time & Signal Company