



Secondary Clocks Synchronous-Wired Corrective 59th Minute Metal Case

Manufactured in Dassel, MN



FEATURES

- **2 Year Warranty**
- Dual automatic clock correction cycles
 - > Hourly correction
 - > 12-hour scatter correction
- Quality heavy-duty brass gear train
- Precision 'Hysteresis' type *Synchron* motor
- Attractive modern design
- Heavy-duty construction
- All metal case
- Double dial mounting

GENERAL

The **american time**[™] Synchronous-Wired corrective secondary clocks are used with the YMP series or AllSync[®] master clocks to provide continuous accurate time indication. The secondary clocks are provided in round or square metal cases with glass crystals and bold, black numerals and minute markers on a non-yellowing white dial. Stylish hour and minute hands are aluminum with a black finish and a red sweep second hand.

DESCRIPTION

american time[™] clocks may be surface, flush or double dial mounted and are available in 10", 12", 15" or 18" round and 12" square. Once each hour the master clock supervises the accuracy of the secondary clock system by issuing an eight second signal that will correct units up to 59 minutes and 55 seconds slow. Every twelve hours the master issues a 14 second supervisory signal to correct secondary clocks up to 11 hours, 59 minutes slow. The reference time for the hourly correction is the 59th minute, reference hours for the 12-hour correction are 6:00 AM, and 6:00 PM. Flush mount clocks require a flush backbox. Each clock is supplied with a pair of Molex[®] connectors.

ORDERING INFORMATION

Part #	Description		Part #	Description	
B44BHAA406	10" Rd Surface	110vac	B44BHBA406	10" Rd Surface	24vac
B45BHAA606	10" Rd Flush	110vac	B45BHBA606	10" Rd Flush	24vac
B54BHAA406	12" Rd Surface	110vac	B54BHBA406	12" Rd Surface	24vac
B55BHAA606	12" Rd Flush	110vac	B55BHBA606	12" Rd Flush	24vac
B57BHAA406	12" Sq Surface	110vac	B57BHBA406	12" Sq Surface	24vac
B58BHAA606	12" Sq Flush	110vac	B58BHBA606	12" Sq Flush	24vac
B64BHAA406	15" Rd Surface	110vac	B64BHBA406	15" Rd Surface	24vac
B65BHAA606	15" Rd Flush	110vac	B65BHBA606	15" Rd Flush	24vac
B74BHAA406	18" Rd Surface	110vac	B74BHBA406	18" Rd Surface	24vac
B75BHAA606	18" Rd Flush	110vac	B75BHBA606	18" Rd Flush	24vac
B53BHAA206	12" Rd Double dial wall	110vac	B53BHBA206	12" Rd Double dial wall	24vac
B52BHAA206	12" Rd Double dial ceiling	110vac	B52BHBA206	12" Rd Double dial ceiling	24vac
B51BHAA206	12" Sq Double dial wall	110vac	B51BHBA206	12" Sq Double dial wall	24vac
B50BHAA206	12" Sq Double dial ceiling	110vac	B50BHBA206	12" Sq Double dial ceiling	24vac
B63BHAA206	15" Rd Double dial wall	110vac	B63BHBA206	15" Rd Double dial wall	24vac
B62BHAA206	15" Rd Double dial ceiling	110vac	B62BHBA206	15" Rd Double dial ceiling	24vac

CFB103 10" Flush backbox

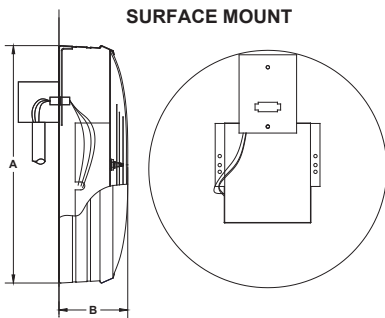
CFB106 12", 15", 18" Flush backbox

Double dial mounting to wall requires 4" square electrical box in wall.

SPECIFICATIONS

Electrical requirements:

24vac/24vac 60 Hz	1 rpm	Run .24 amps	Correction .135 amps
110vac/110vac 60 Hz	1 rpm	Run .055 amps	Correction .053 amps



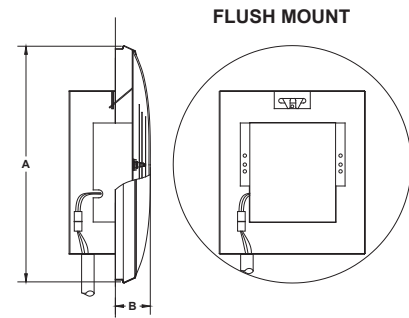
SURFACE MOUNT

OUTSIDE DIMENSIONS

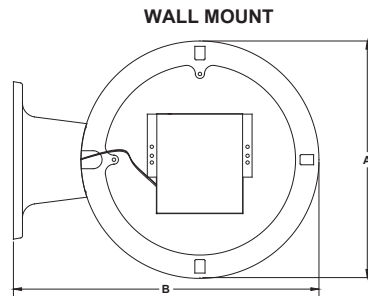
"A" Dimensions:
 11¼" for 10" clocks
 13¼" for 12" clocks
 16¼" for 15" surface clocks
 16" for 15" flush clocks
 19" for 18" clocks

"B" Dimensions: Surface
 2¼" for 10", 12", 15"
 3¼" for 18" clocks

"B" Dimensions: Flush
 1⅞" for 10", 12", 15"
 1⅞" for 18" clocks



FLUSH MOUNT

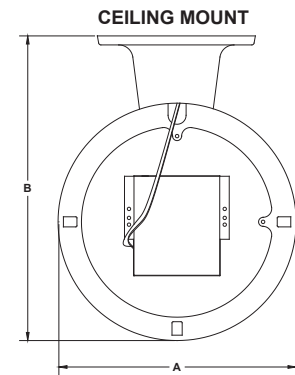


WALL MOUNT

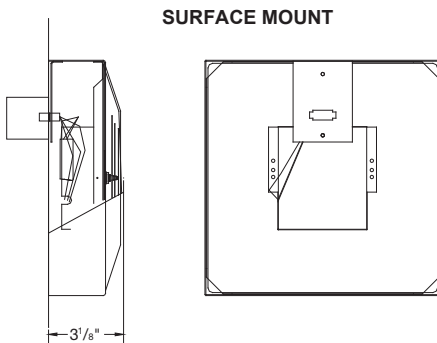
Double Dial:
Note: includes 2 surface clocks

"A" Dimensions:
 13¼" for 12" clocks
 16¼" for 15" clocks

"B" Dimensions:
 16⅞" for 12" clocks
 19⅞" for 15" clocks

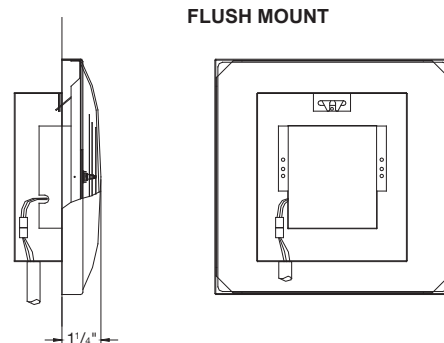


CEILING MOUNT

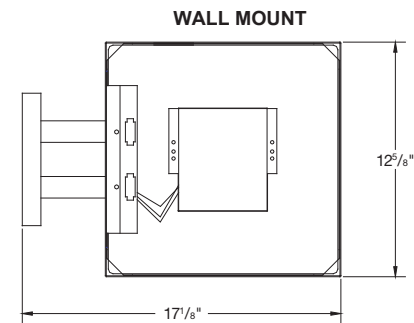


SURFACE MOUNT

OUTSIDE DIMENSIONS
Flush
 12" clocks 12⅝" square

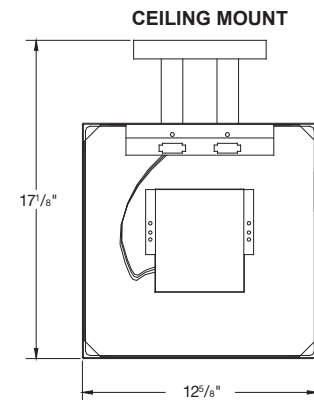


FLUSH MOUNT



WALL MOUNT

Square Double Dial 12" only



CEILING MOUNT

At American Time & Signal, we continually strive to improve our products to meet our customers' needs and to provide the best possible value. The above specifications are believed to be correct, are subject to change without notice and may otherwise vary from the above. Please call if you need verification of any specifications or the suitability of a particular product for a particular application.
 © American Time & Signal Company