



Secondary Clocks Synchronous-Wired Corrective 59th Minute Plastic Case

Manufactured in Dassel, MN



FEATURES

- **2 Year Warranty**
- Dual automatic clock correction cycles
 - > Hourly correction
 - > 12-hour scatter correction
- Quality heavy-duty brass gear train
- Precision 'Hysteresis' type *Synchron* motor
- Attractive modern design
- Heavy-duty construction
- High impact plastic case
- Double dial mounting

GENERAL

The **american time**[™] Synchronous-Wired corrective secondary clocks are used with the YMP series or AllSync[®] master clocks to provide continuous accurate time indication. The secondary clocks are provided in **round only**, high impact black plastic cases with clear polycarbonate crystals and bold, black numerals and minute markers on a non-yellowing white dial. Stylish hour and minute hands are aluminum with a black finish and a red sweep hand. Other bezel colors available. Consult factory.

DESCRIPTION

american time[™] clocks may be surface, flush or double dial mounted and are available in either 10" or 12" size. Once each hour the master clock supervises the accuracy of the secondary clock system by issuing an eight second signal that will correct units up to 59 minutes and 55 seconds slow. Every twelve hours the master issues a 14 second supervisory signal to correct secondary clocks up to 11 hours, 59 minutes slow. The reference time for the hourly correction is the 59th minute and reference hours for the 12-hour correction are 6:00 AM and 6:00 PM. Flush mount clocks require a flush backbox. Each clock is supplied with a pair of Molex[®] connectors.

ORDERING INFORMATION

Part #	Description	Part #	Description
B44BAAA906	10" Rd Surface	B44BABA906	10" Rd Surface
B45BAAA606	10" Rd Flush	B45BABA606	10" Rd Flush
B54BAAA306	12" Rd Surface	B54BABA306	12" Rd Surface
B55BAAA606	12" Rd Flush	B55BABA606	12" Rd Flush
B53BAAA206	12" Rd Double dial wall mount	B53BABA206	12" Rd Double dial wall mount
B52BAAA206	12" Rd Double dial ceiling mount	B52BABA206	12" Rd Double dial ceiling mount

CFB103 10" Flush backbox

CFB106 12" Flush backbox

Double dial mounting to wall requires 4" square electrical box in wall.

SPECIFICATIONS

Electrical requirements:

24vac/24vac 60 Hz	1 rpm	Run .24 amps	Correction .135 amps
110vac/110vac 60 Hz	1 rpm	Run .055 amps	Correction .053 amps

OUTSIDE DIMENSIONS

Flush Mount

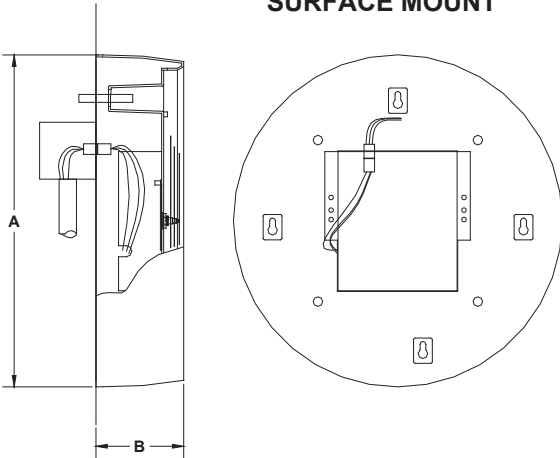
Size	A	B
10"	9 ⁷ / ₈ "	1 ³ / ₈ "
12"	13 ¹ / ₄ "	1 ¹ / ₂ "

Surface Mount

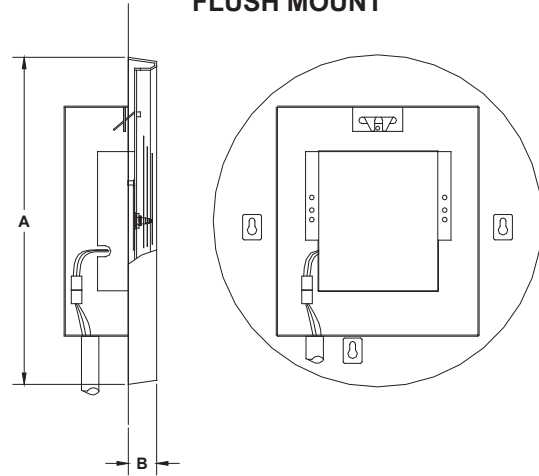
Size	A	B
10"	10 ³ / ₈ "	2 ¹ / ₂ "
12"	13 ¹ / ₄ "	2 ⁵ / ₈ "

Double Dial 12" only

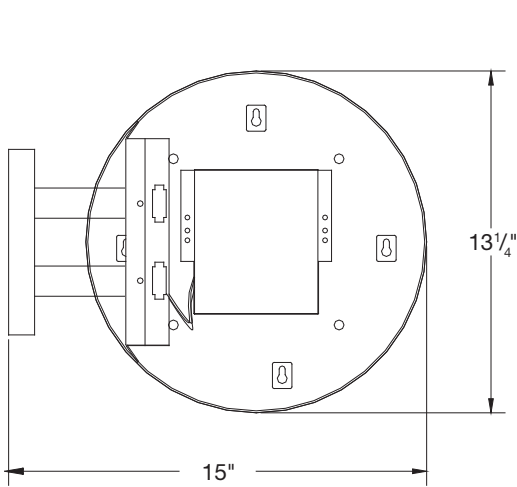
SURFACE MOUNT



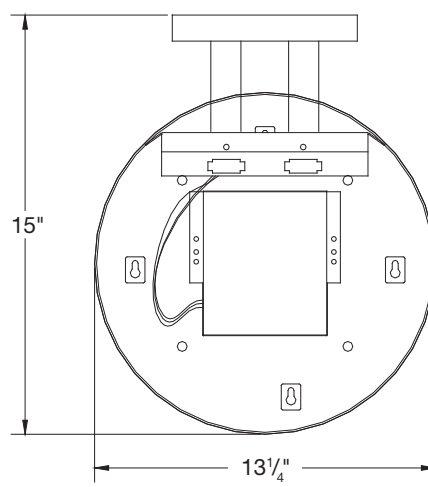
FLUSH MOUNT



Wall Mount



Ceiling Mount



At American Time & Signal, we continually strive to improve our products to meet our customers' needs and to provide the best possible value. The above specifications are believed to be correct, are subject to change without notice and may otherwise vary from the above. Please call if you need verification of any specifications or the suitability of a particular product for a particular application.
 © American Time & Signal Company