



Secondary Clocks Synchronous Wired-Corrective 60th Minute Plastic Case

Manufactured in Dassel, MN



FEATURES

- 2 Year Warranty
- Dual automatic clock correction cycles
 - > Hourly correction
 - > 12-hour scatter correction
- Quality heavy-duty brass gear train
- Precision 'Hysteresis' type *Synchron* motor
- Attractive modern design
- Heavy-duty construction
- All plastic case
- Double dial mounting

GENERAL

The **american time**[™] Synchronous-Wired corrective clocks are used with the YMP series or AllSync[®] master clocks to provide continuous accurate time indication. The secondary clocks are provided in **round only**, high impact black plastic cases with polycarbonate crystals and bold, black numerals and minute markers on a non-yellowing white dial. Stylish hour and minute hands are aluminum with a black finish and a red sweep hand. Other bezel colors available. Consult factory.

DESCRIPTION

american time[™] clocks may be surface, flush or double dial mounted and are available in either 10" or 12" size. Once each hour the master clock supervises the accuracy of the secondary clock system by issuing a 25 second signal that will correct units up to 59 minutes slow. Every twelve hours the master issues a supervisory signal to correct secondary clocks up to 11 hours, 59 minutes slow. The reference time for the hourly correction is the 60th minute. Twelve-hour correction occurs between 6:00 and 7:00 twice daily. Flush mount clocks require a flush backbox. Each clock is supplied with a pair of Molex[®] connectors.

ORDERING INFORMATION

Part #	Description	Part #	Description
G44BAAG991	10" Rd Surface	G44BABG991	10" Rd Surface
G45BAAG191	10" Rd Flush	G45BABG191	10" Rd Flush
G54BAAG391	12" Rd Surface	G54BABG391	12" Rd Surface
G55BAAG191	12" Rd Flush	G55BABG191	12" Rd Flush
G53BAAG291	12" Rd Double dial (wall)	G53BABG291	12" Rd double dial (wall)
G52BAAG291	12" Rd Double dial (ceiling)	G52BABG291	12" Rd double dial (ceiling)

Also available in 120/24vac. Consult factory for part numbers.

Double dial mounting requires a 4" square electrical box in the wall or ceiling.

SPECIFICATIONS

Operating voltage 110vac 60 Hz motor = .033 amps
 24vac 60 Hz motor = .144 amps

Correction coil = .022 amps
 Correction coil = .094 amps

OUTSIDE DIMENSIONS

Flush Mount

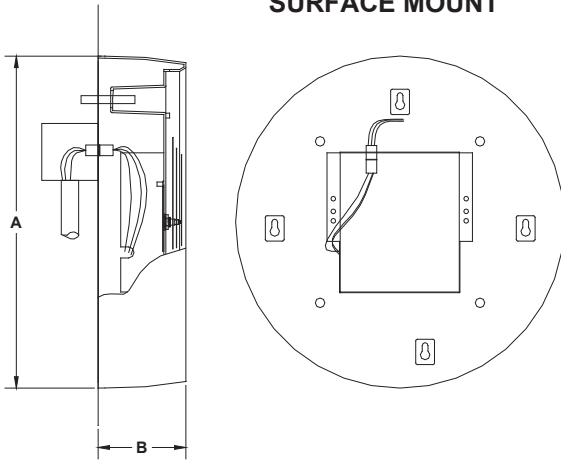
Size	A	B
10"	9 ⁷ / ₈ "	1 ³ / ₈ "
12"	13 ¹ / ₄ "	1 ¹ / ₂ "

Surface Mount

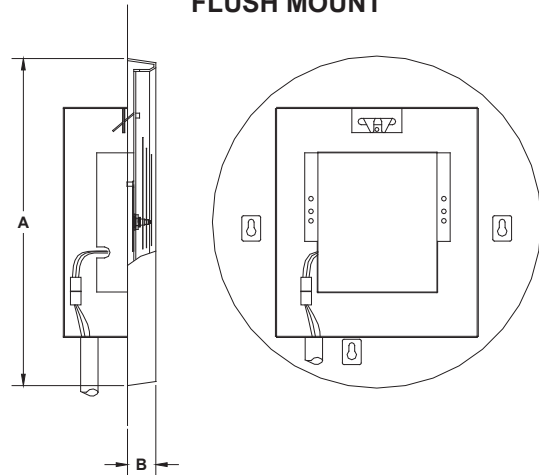
Size	A	B
10"	10 ³ / ₈ "	2 ¹ / ₂ "
12"	13 ¹ / ₄ "	2 ⁵ / ₈ "

Double Dial 12" only

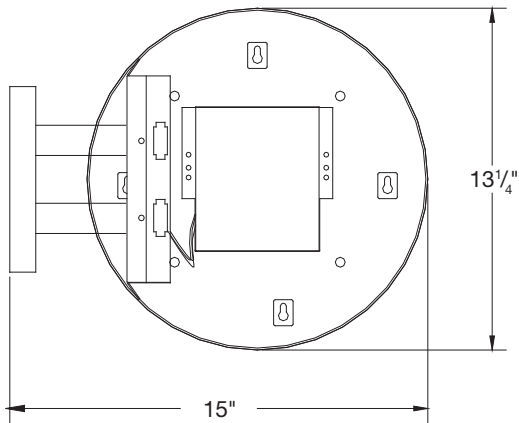
SURFACE MOUNT



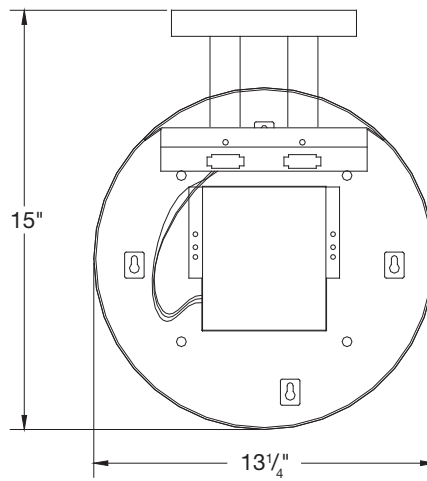
FLUSH MOUNT



Wall Mount



Ceiling Mount



At American Time & Signal, we continually strive to improve our products to meet our customers' needs and to provide the best possible value. The above specifications are believed to be correct, are subject to change without notice and may otherwise vary from the above. Please call if you need verification of any specifications or the suitability of a particular product for a particular application.
 © American Time & Signal Company