



## AllSync Plus® 15" Surface Plastic Case



### FEATURES

- 5 Year Warranty
- Microprocessor controlled movement
- 15 minutes of backup power (no batteries required)
- Accuracy to within  $\pm 1$  second of a master clock
- Reduced power consumption
- Attractive modern design
- High impact plastic case
- Diagnostic LED

### DESCRIPTION

The **american time™** AllSync Plus clocks, with “Chameleon Intelligence”, are provided in **round only** high impact black plastic cases with clear polycarbonate crystals and bold, black numerals and minute markers on a non-yellowing white dial. Stylish hour and minute hands are aluminum with a black finish and a red sweep hand.

The **american time™** AllSync Plus clock is designed to work with multiple master clocks and correction signals. This unit is programmed to identify the signal it receives from the master and operate as that style of clock. Changing clock operation from one style to another is as easy as unplugging the clock from one system and plugging it into another. If needed, changing the placement of 2 small jumpers on the circuit board can change the voltage required to run this clock from 120vac to 24vac or 24vac to 120vac. This clock provides 15 minutes of backup run power without the use of batteries. If a power outage should last longer than 15 minutes, the clock will synchronize to the master clock at the hourly and 12 hour correction cycles.

### Correction Signals

Works on:

- Hourly correction: 7-9 seconds starting at the 57th minute and 54th second. 12 hour correction: 13-18 seconds starting at 5:57:54 (am and pm).
- Hourly correction: 24-28.5 seconds starting at the 0 minute and 0 second. 12 hour correction: 24-32 minutes starting at 6:00:00 (am and pm).
- \*Hourly correction: 54-56 seconds starting at the 58th minute and 5th second. 12 hour correction: 10 pulses of 94-96 seconds starting at 5:05:00 (am and pm) and repeating every 2 minutes.
- Hourly correction: 24-26 seconds starting at 0 minute and 0 second. 12 hour correction: 25 pulses of 24-26 seconds starting at 6:00:00 (am and pm) and repeating every 60 seconds.
- Hourly correction: 63-67 seconds starting at the 58th minute and 0 second. 12 hour correction: 14 pulses of 63-67 seconds starting at 5:06:00 (am and pm) and repeating every 2 minutes.
- \*Hourly correction: 54-56 seconds starting at the 58th minute and 5th second. 12 hour correction: 12 pulses of 63-67 seconds starting at 5:05:00 (am and pm) repeating every 90 seconds.

### \*Note:

When switching between these correction protocols, you must use a different correction protocol to complete the transition. The AllSync Plus clock needs to distinguish between hourly corrections before it can change correction protocols internally.

**SPECIFICATIONS**

- 24vac/60 Hz or 110vac/60 Hz
- Current draw: Single dial:  
 24vac, 1 watt, .043 amps  
 110vac, 3 watts, .028 amps  
 Double dial:  
 24vac, 2 watt, .086 amps  
 110vac, 6 watts, .056 amps

Maximum operating voltage: 24vac setting = 40vac  
 110vac setting = 150vac  
 Minimum operating voltage: 24vac setting = 15vac  
 110vac setting = 50vac

**GENERAL**

Types of secondary clocks compatible with AllSync Plus:

- Cincinnati WS\*, \*D-8, \*D-10, \*D-12 Series
- Dukane 24SS\* Series, 240\* Series
- Edwards \*010 & \*012 Series
- Faraday 2315\*, 2316\*, 2335\*, 2336\*, 2370\*, 2372\*, 2380\*, 2382\*, 2311\*, 2320\*, 2331\*, 2314\*,  
 1310 through 1431 Series and 2420\* through 2431\* Series
- Honeywell ST402A\* Series
- Lathem Type SS\* Series
- National Time \*EX-HH and \*EX-LL Series
- Simplex® & IBM 77\* Series, 82\* Series, 2310 – 92\* Series, 6310 – 92\* Series

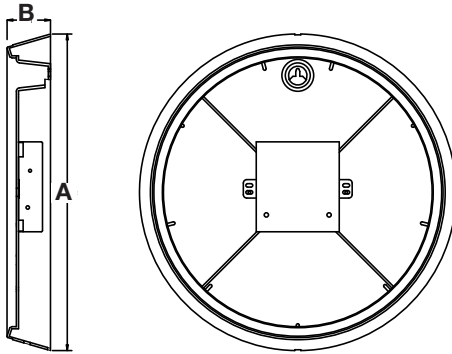
\*Indicates more numbers before or after.

**ORDERING INFORMATION**

Part #	Description
U64BAAA304	15" Rd Surface 110vac
U64BABA304	15" Rd Surface 24vac
U63BAAA204	15" Rd Double dial wall 110vac
U63BABA204	15" Rd Double dial wall 24vac
U62BAAA204	15" Rd Double dial ceiling 110vac
U62BABA204	15" Rd Double dial ceiling 24vac

**Note:**  
 Double dial mounting requires a 4" square electrical box in the wall or ceiling. Surface clocks have a molded in hanger in the plastic cases.

**Surface Mount**

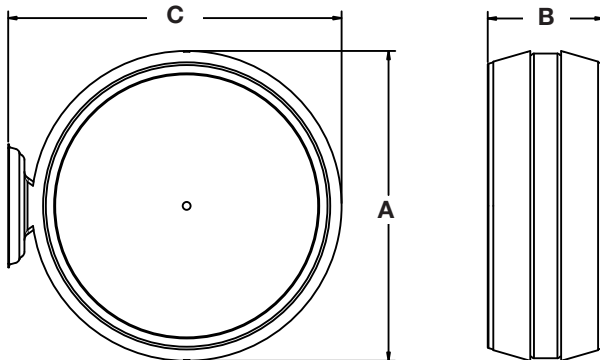


**OUTSIDE DIMENSIONS**

**SURFACE MOUNT**

SIZE	A	B
15"	17¼"	2⅜"

**Double Dial (wall mount shown)**



**OUTSIDE DIMENSIONS**

**Double Dial**

SIZE	A	B	C
15"	17¼"	7⅞"	20½"

At American Time & Signal, we continually strive to improve our products to meet our customers' needs and to provide the best possible value. The above specifications are believed to be correct, are subject to change without notice and may otherwise vary from the above. Please call if you need verification of any specifications or the suitability of a particular product for a particular application.  
 © American Time & Signal Company