



Wireless Analog Plastic Case Battery Clocks



GENERAL INFORMATION

- Clock hour & minute hands: Black
- Clock second hand:..... Red
- Power: 1 (1.5V) AA Lithium battery, (included)
Battery life approx. 1 year
- Battery Booster Plus®:..... Option for up to 5 years maintenance free,
uses 4 AA Lithium batteries (included)
- Remote receiver: Option for rooms shielded from radio frequencies, such as hospital X-ray rooms.
This option uses common RJ11 connectors on both ends of the included 25 or 50 foot cable
separating the receiver unit from the clock.
- Rear panel indicator: Red LED indicates receiver wake-up and time sync
- Receiver sensitivity: 10uV per meter
- Antenna type: Internal
- Time to synchronize: Average time to sync is 3 to 5 minutes (syncs automatically 4 times per day)
- Time accuracy: ± 1 second to SiteSync IQ® Master Clock
- Warranty: Two Years

PHYSICAL / ENVIRONMENTAL SPECIFICATIONS

- Operating temperature: 41°F to 131°F
- Storage temperature:..... 41°F to 131°F
- Relative humidity: 0% - 95% Non-condensing

ORDERING INFORMATION

Part #	Description	Part # w/Battery Booster
SQ46BADD304	10" Round, surface mount	SQ46BADD304BP
SQ45BADD?04	10" Round, flush mount	SQ45BADD?04BP
SQ56BADD304	12" Round, surface mount	SQ56BADD304BP
SQ55BADD?04	12" Round, flush mount	SQ55BADD?04BP
SQ93BADD204	12" Round, double dial wall mount	SQ93BADD204BP
SQ92BADD204	12" Round, double dial ceiling mount	SQ92BADD204BP
SQ66BADD304	15" Round, surface mount	SQ66BADD304BP
SQ65BADD?04	15" Round, flush mount	SQ65BADD?04BP
SQ63BADD204	15" Round, double dial wall mount	SQ63BADD204BP
SQ62BADD204	15" Round, double dial ceiling mount	SQ62BADD204BP

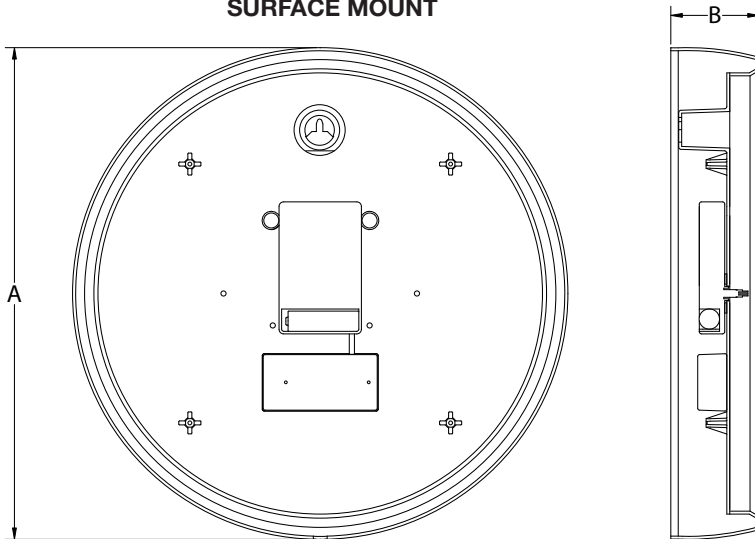
Add L to the end of the Part # for personalized dial option
 Add RT to the end of Part # for the 25' remote receiver option
 Add RF to the end of Part # for the 50' remote receiver option

Note: If flush mounting in an existing backbox, change the ? in the Part # to specify correct hanger type from the list below:
 1=National Time 5=Simplex®, Dukane, Lathem 6=Cincinnati, Edwards, Faraday, Honeywell 8=Standard™ Electric

Note: Other dial styles and case colors available

Note: These clocks are intended for use with a SiteSync IQ® Wireless Clock System.

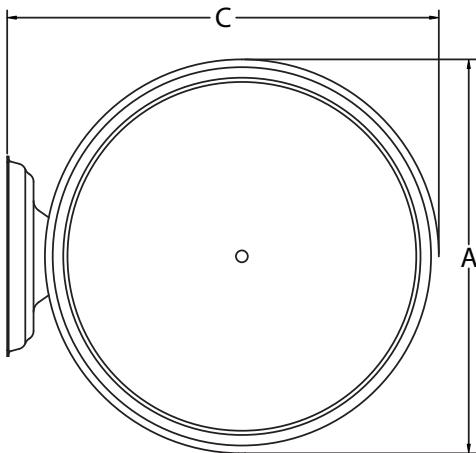
SURFACE MOUNT



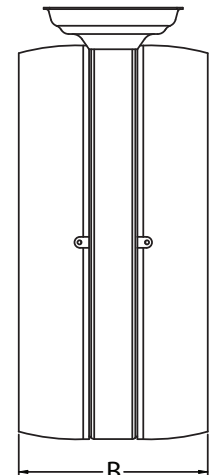
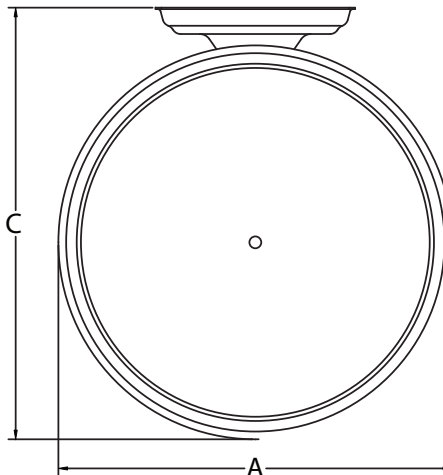
SIZE	OUTSIDE DIMENSIONS		
	A	B	C
Surface			
10"	10 ³ / ₈ "	2 ¹ / ₂ "	N/A
12"	13 ¹ / ₄ "	2 ⁵ / ₈ "	N/A
15"	17 ¹ / ₄ "	2 ³ / ₈ "	N/A
Flush			
10"	9 ⁷ / ₈ "	1 ³ / ₈ "	N/A
12"	13 ¹ / ₄ "	1 ¹ / ₂ "	N/A
15"	16 ⁷ / ₈ "	1 ³ / ₄ "	N/A
Double Dial			
12"	13 ¹ / ₄ "	8 ⁵ / ₈ "	15"
15"	17 ¹ / ₄ "	7 ⁷ / ₈ "	20 ¹ / ₂ "

DOUBLE DIAL

Wall Mount



Ceiling Mount



At American Time & Signal, we continually strive to improve our products to meet our customers' needs and to provide the best possible value. The above specifications are believed to be correct, are subject to change without notice and may otherwise vary from the above. Please call if you need verification of any specifications or the suitability of a particular product for a particular application. © American Time & Signal Company