



Wireless Analog Large Wood Case Battery Clocks



GENERAL INFORMATION

- Clock hour & minute hands: Black
- Clock second hand: Red
- Clock case: Natural wood
- Power: 1 (1.5V) AA Lithium battery, (included)
Battery life approx. 1 year
- Battery Booster Plus®: Option for up to 5 years maintenance-free operation,
uses 4 AA Lithium batteries (included)
- Remote receiver: Option for rooms shielded from radio frequencies, such as hospital X-ray rooms.
This option uses common RJ11 connectors on both ends of the included 25 or 50 foot cable
separating the receiver unit from the clock
- Rear panel indicator: Red LED indicates receiver wake-up and time sync
- Receiver sensitivity: 10uV per meter
- Antenna type: Internal
- Time to synchronize: Average time to sync is 3 to 5 minutes (syncs automatically 4 times per day)
- Time accuracy: ±1 second to SiteSync IQ® System Controller
- Warranty: Two Years

PHYSICAL / ENVIRONMENTAL SPECIFICATIONS

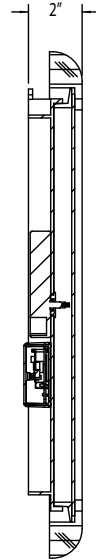
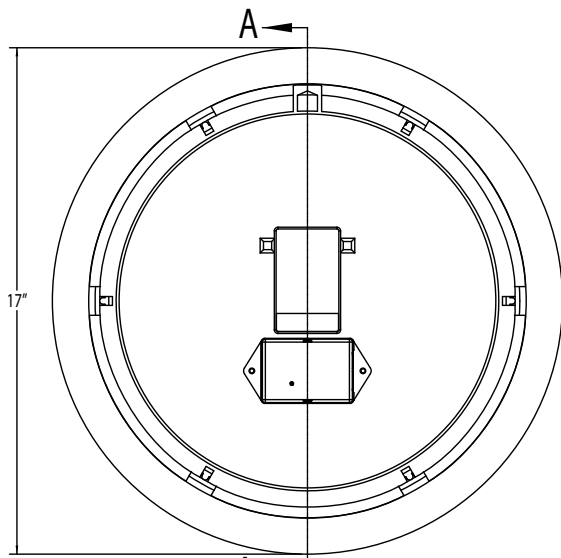
- Operating temperature: 41°F to 131°F
- Storage temperature: 41°F to 131°F
- Relative humidity: 0% - 95% Non-condensing

ORDERING INFORMATION

| Part # | Description |
|---------------|---|
| SQ25LNDD3AL | Round, Natural wood case |
| SQ25LNDD3ALBP | Round, Natural wood case w/Battery Booster Plus |

Note: Personalized dial option available. Add L to the end of the Part #.

Note: These clocks are intended for use with a SiteSync IQ® Wireless Clock System.



DIAL DIAMETER - 13¹/₄"
OUTSIDE DIMENSIONS
A Depth
 17" 2"

At American Time & Signal, we continually strive to improve our products to meet our customers' needs and to provide the best possible value. The above specifications are believed to be correct, are subject to change without notice and may otherwise vary from the above. Please call if you need verification of any specifications or the suitability of a particular product for a particular application.
 © American Time & Signal Company